

LED MODULES

SA M-Side 8 LED

Features

- Ideal for edge-lighting lightboxes with depths of 120mm to 300mm.
- Patented V optics lens design ensures uniform, bright lighting.
- Constant current (Non-DALI Compatible).
- 15° x 85° angle beam.
- 10 Years Warranty

Specification

Item Code	Power(W)	Luminous Flex(lm)	Current(A)	CCT(K)
SA 2868	6.4	830	0.266	6500

Technical Characteristics

*Centre to Centre

Voltage(V)	12V
Efficiency(lm/W)	130lm/W
IP Rating	IP68
View Angle	15° x 85°
Colour	Pure white
Lead Wire	AWG 18
Module Pitch(*CTC)	304mm

Certification



Temperature Ranges

Operating temperature	-25°C ~ +55°C
Storage temperature	-40°C ~ +85°C

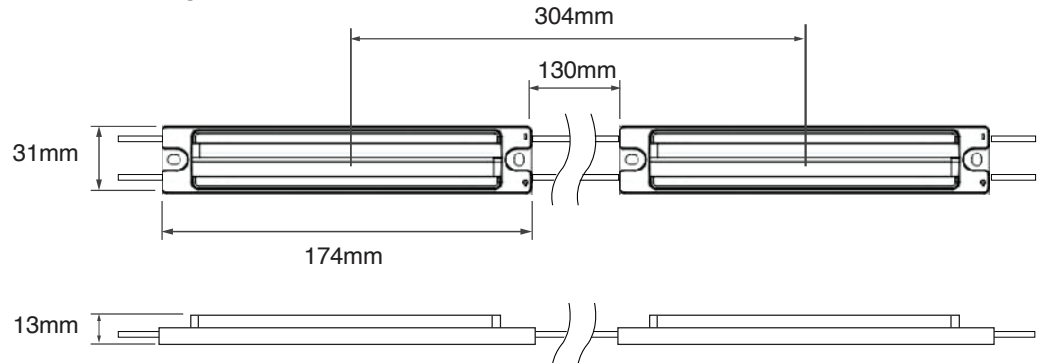
Warranty

Warranty	10 Years
----------	----------

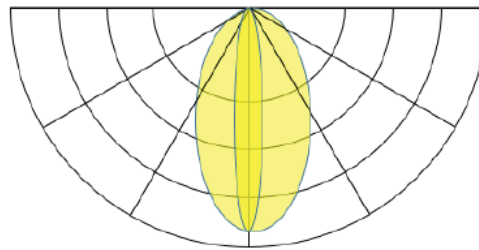
Physical Characteristics

Dimensions(L*W*H)	174.3*31*13
Weight	61g

Profile Drawings



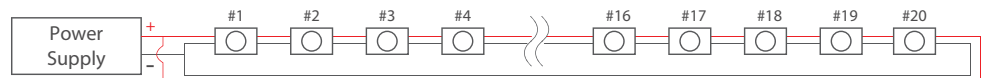
Luminous intensity distribution diagram



Beam angle: 15° x 85°

Max in series 20 EA

Single series



Multiple series

